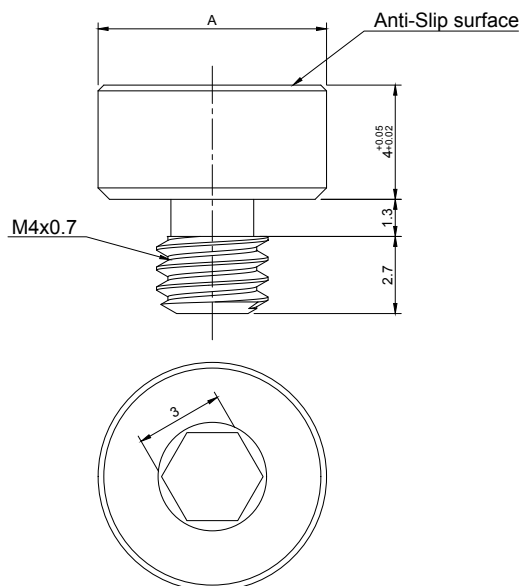


Anti-Slip Bolt™ (ASB)



Anti-slip surface	Top, flat side
Surface hardness	1900 +/- 100 HV
Base material	Tool steel
Typical COF*	> 0.8 +/- 5%
Suitable applications	Steel Stainless steel Aluminium Plastics



* The coefficient of friction (COF) depends on applied clamping pressure. For steel, COF is > 0.8 for clamping pressures of 5 MPa to 100 MPa. Contact for further information.

CATALOG NUMBER	Diameter (A) [mm]	Total height [mm]	Head height [mm]	Fastening
ASB-C08	Ø8 (+/- 0.1)	8	4 (+0.02/+0.05)	M4 x 0.7
ASB- C12	Ø12 (+/- 0.1)	8	4 (+0.02/+0.05)	M4 x 0.7
ASB- C16	Ø16 (+/- 0.1)	8	4 (+0.02/+0.05)	M4 x 0.7

Other dimensions, shapes and tolerances on request.

See our General Terms and Conditions.